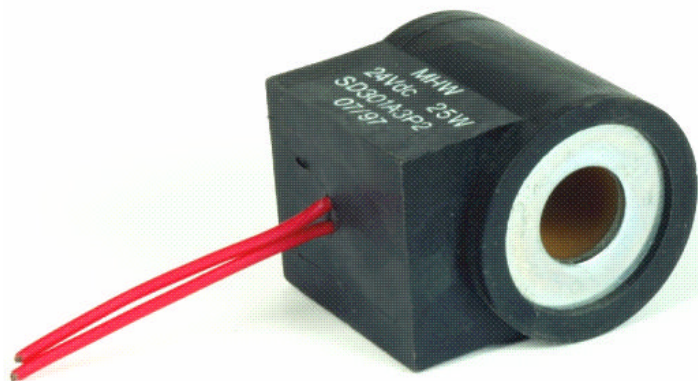
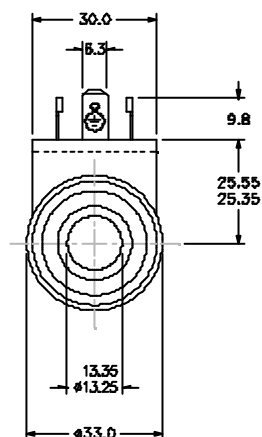
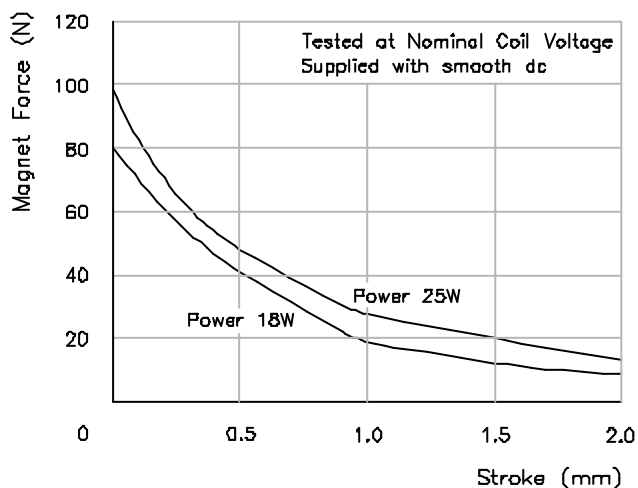
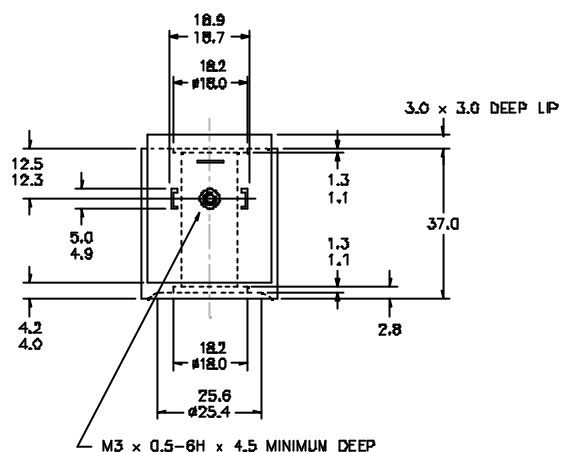


Special Solenoid (1/2" Cartridge & Coil)

MS3337



- Fully Encapsulated Magnetic Circuit
- Various DC Voltage Ratings Available
- IP65 Rating
- Optional Connectors
- Sheathed Lead Variant Available



TOLERANCES (UNLESS STATED) $\pm 0.25\text{mm}$