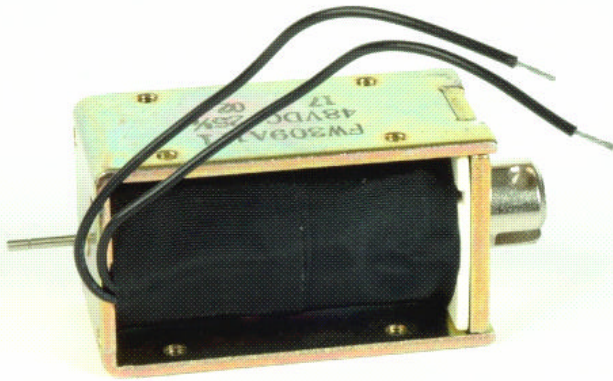


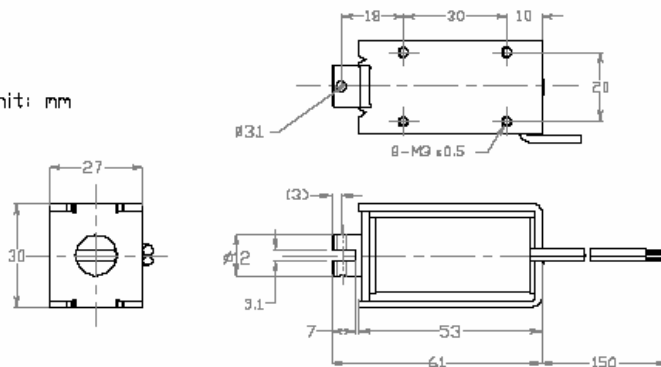
# D-Frame Solenoid

GD1253

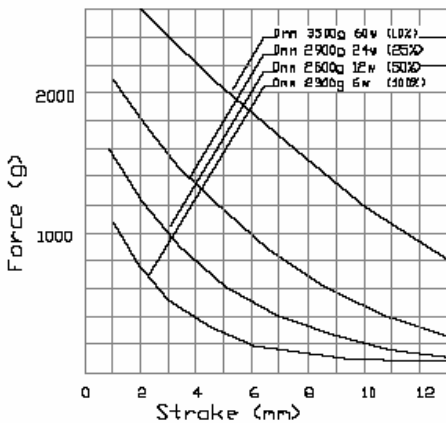


- Pull Type
- Thrust Type
- Flying Leads
- Terminals
- Zinc Plated Frame
- Nickel Plated Plunger
- Customised Plunger Ends
- Customised Fixings
- Optional Voltages

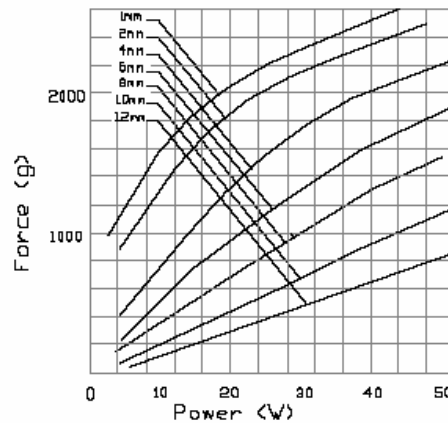
Unit: mm



Stroke and Force



Power and Force



Standard Coil Specifications

Cont. rating (at 20°C): 6w

Voltage (VDC)	Resistance ( $\Omega$ )	Current (A)
6	6	1000
12	24	500
24	96	250
48	384	125

Total weight : 205g

Plunger weight : 39g