

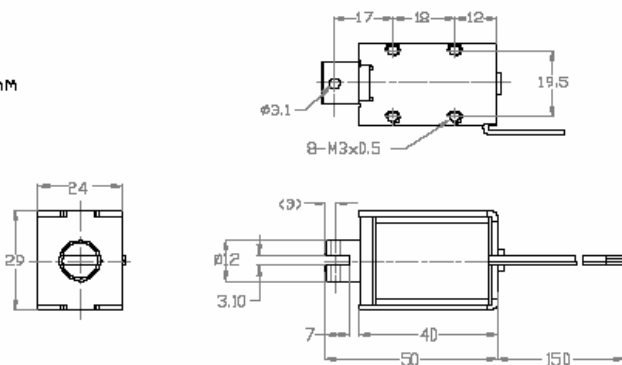
D-Frame Solenoid

GD1240

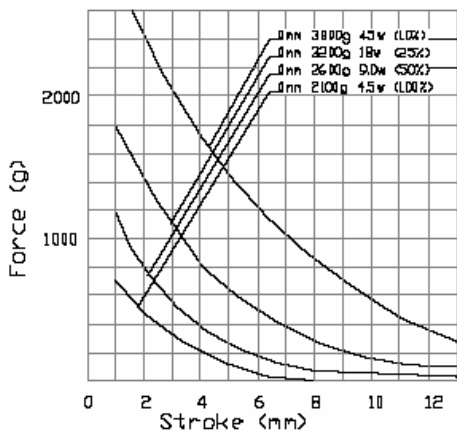


- Pull Type
- Thrust Type
- Flying Leads
- Terminals
- Zinc Plated Frame
- Nickel Plated Plunger
- Customised Plunger Ends
- Customised Fixings
- Optional Voltages

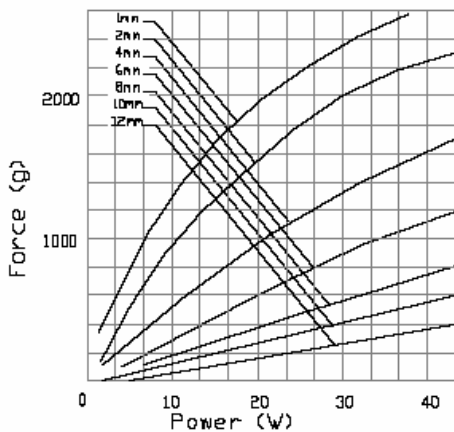
Unit: mm



Stroke and Force



Power and Force



Standard Coil Specifications

Cont. rating (at 20°C): 4.5w

Voltage (VDC)	Resistance (Ω)	Current (mA)
6	8	750
12	32	375
24	128	187
48	512	94

Total weight : 147g

Plunger weight : 32g