

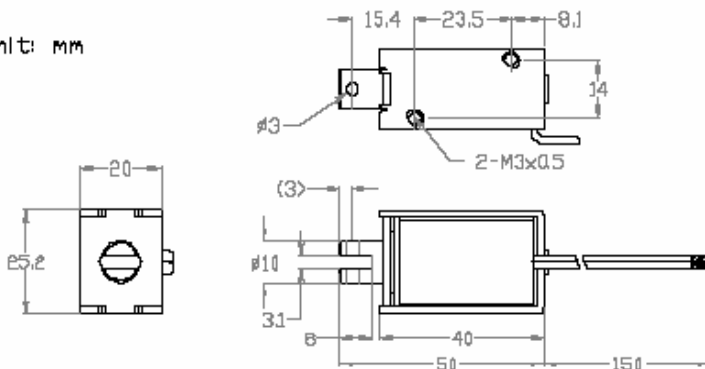
D-Frame Solenoid

GD1040

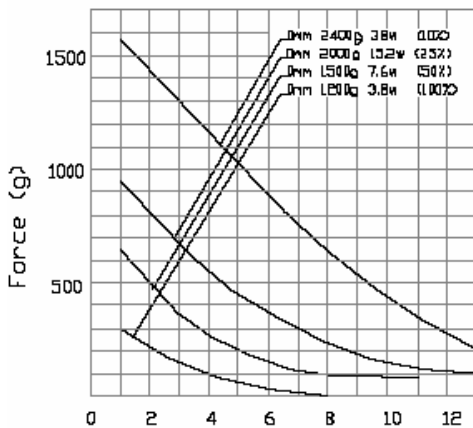


- Pull Type
- Thrust Type
- Flying Leads
- Terminals
- Zinc Plated Frame
- Nickel Plated Plunger
- Customised Plunger Ends
- Customised Fixings
- Optional Voltages

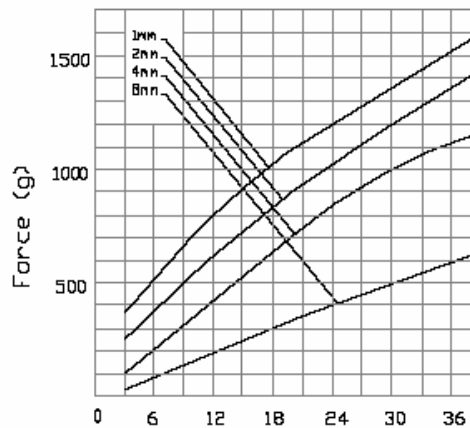
Unit: mm



Stroke and Force



Power and Force



Standard Coil Specifications

Cont. rating (at 20°C): 3.8W

| Voltage (V) | Resistance (Ω) | Current (mA) |
|-------------|----------------|--------------|
| 6 | 9.5 | 632 |
| 12 | 38 | 316 |
| 24 | 152 | 158 |
| 48 | 606 | 79 |

Total weight : 110g
Plunger weight : 25g