

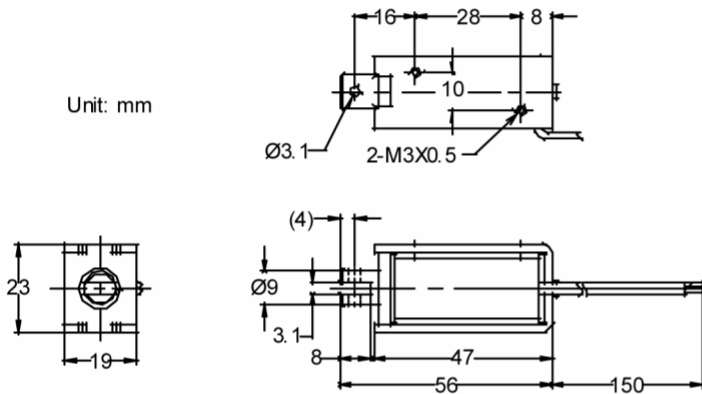
D-Frame Solenoid

GD0947

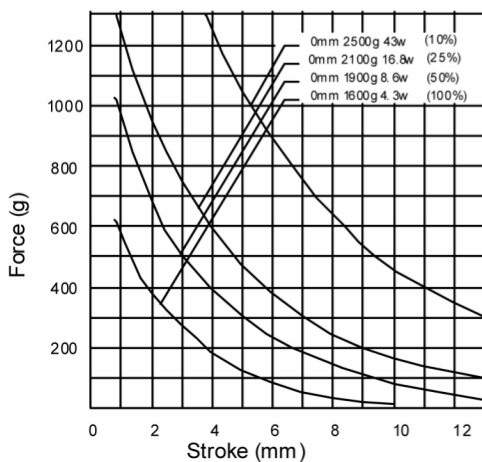


- Pull Type
- Thrust Type
- Flying Leads
- Terminals
- Zinc Plated Frame
- Nickel Plated Plunger
- Customised Plunger Ends
- Customised Fixings
- Optional Voltages

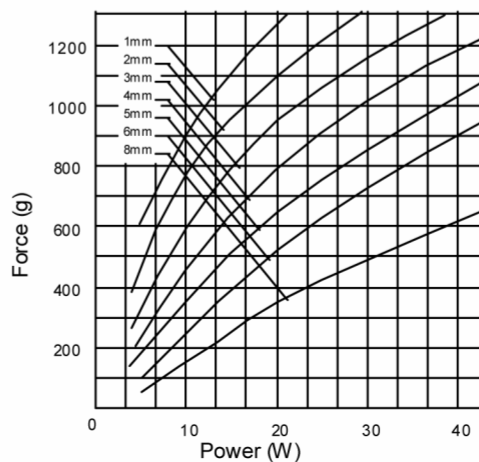
Unit: mm



Stroke and Force



Power and Force



Standard Coil Specifications

Cont. rating(at20 °C):4.3w

Voltage(VDC)	Resistance(Ω)	Current(mA)
6	8.4	714
12	33.5	358
24	134	179
48	536	90

Total weight : 86g

Plunger weight : 18g