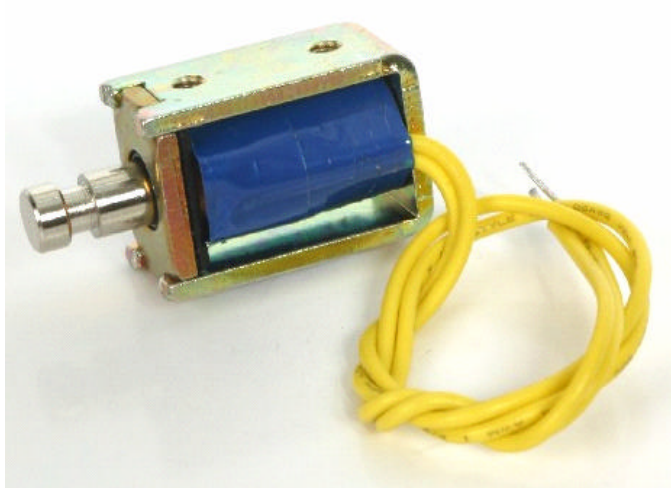
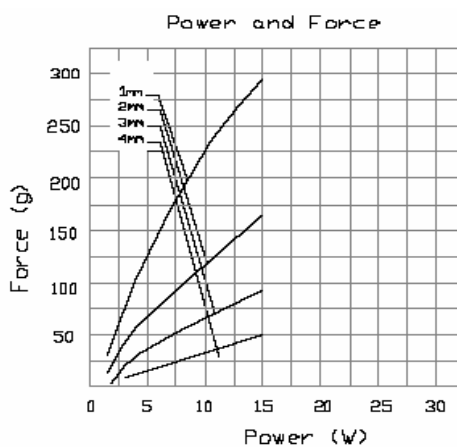
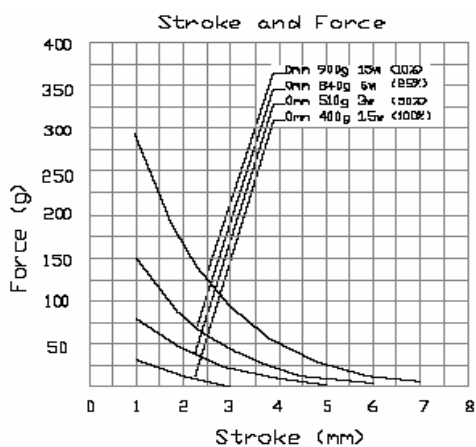
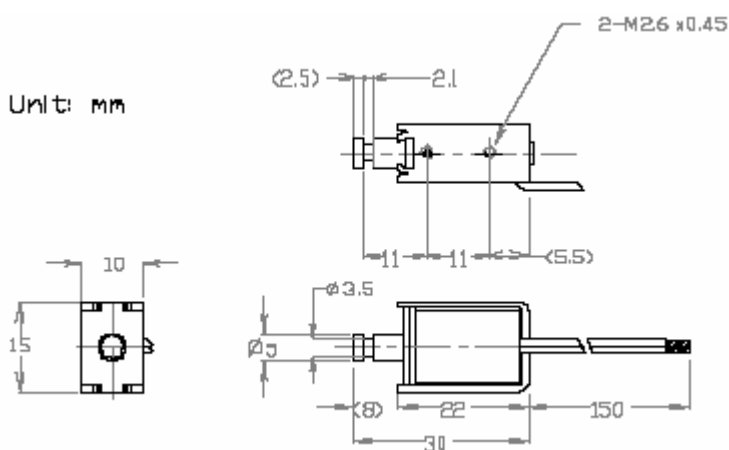


D-Frame Solenoid

GD0522



- Pull Type
- Thrust Type
- Flying Leads
- Terminals
- Zinc Plated Frame
- Nickel Plated Plunger
- Customised Plunger Ends
- Customised Fixings
- Optional Voltages



Standard Coil Specifications
Cont. rating (at 20°C): 1.5w

Voltage (VDC)	Resistance (Ω)	Current (mA)
6	24	250
12	96	125
24	384	62

Total weight : 16g
Plunger weight : 3g