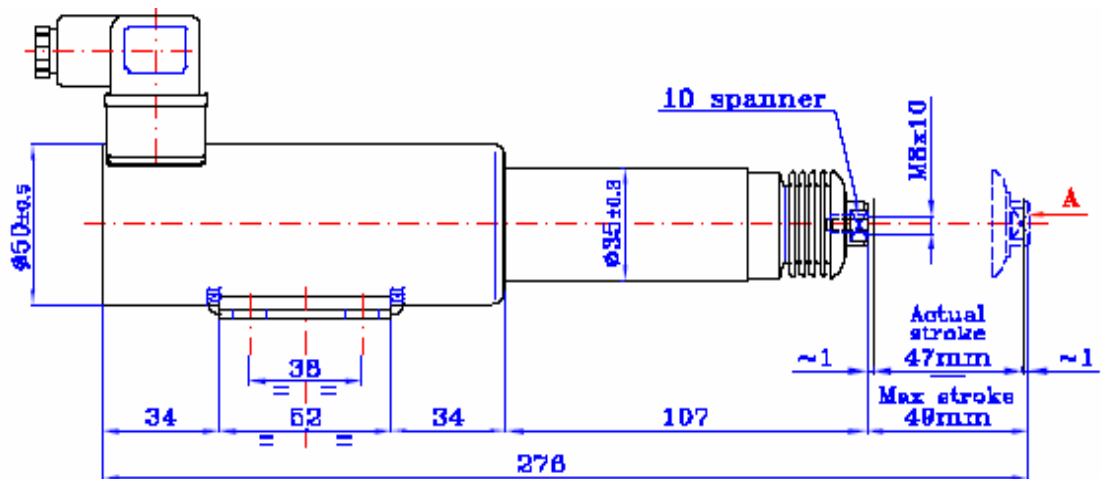


Linear Actuator

GA5050



- Industry standard size
- Maximum load 400N
- 50mm stroke
- 12vdc and 24vdc available
- Power consumption 96W
- Maximum speed 37mm/sec
- Choice of stop mechanisms
- ECU or potentiometer available



Tolerances on the dimensions $\pm 0.8\text{mm}$

