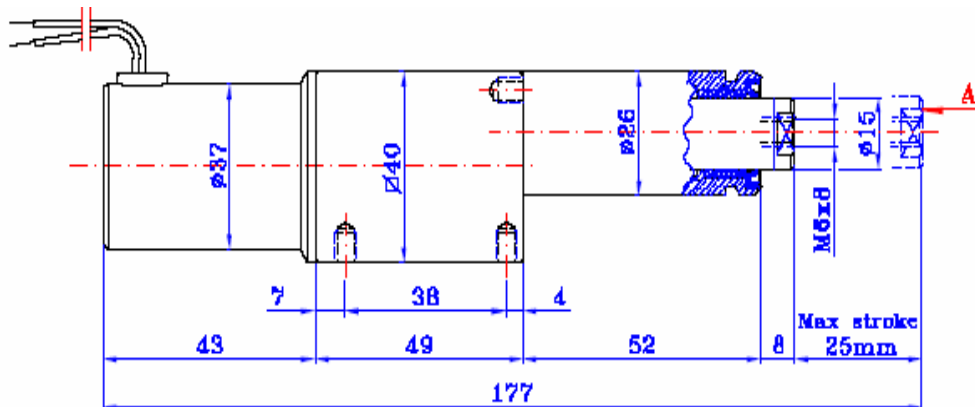


Linear Actuator

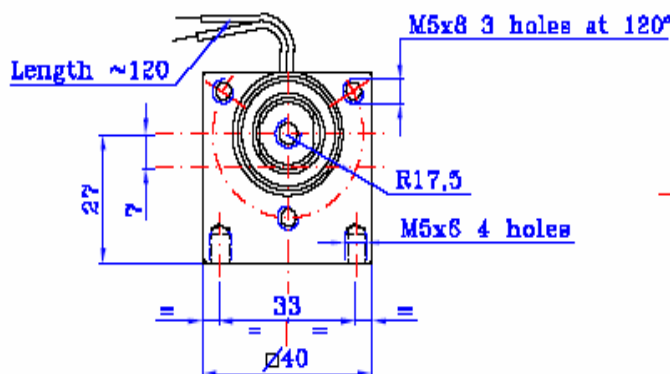
GA4025



- Small, strong unique size
- Maximum load 140N
- 25mm stroke
- 12vdc and 24vdc available
- Power consumption 8W
- Maximum speed 5.8mm/sec
- Minimum speed 1.2mm/sec
- Choice of stop mechanisms
- ECU or encoder available



VIEW FROM A



Model PE 40-25G

